

KC-2037 FM Radio CD player Plus 6X Timer and LED Down light



1. Before to Use device

1.1. Safety Precautions – Read Very Carefully!

- Do not drop the KC-2037 and do not expose it to liquid, moisture or humidity. These might lead to damage to the device.
- If the KC-2037 is moved from a cold into a warmer environment, do let it adapt to the new temperature before operating it again. Otherwise it might lead to condensation and cause malfunctions in the device.
- Do not use the KC-2037 in dusty environment as dust can damage the interior electronic components and lead to malfunctions in the device.
- Protect the KC-2037 from strong vibrations and place it on stable surfaces.
- Do not attempt to disassembly the KC-2037.
- Only use the power adaptor delivered with the KC-2037.
- The socket outlet should be installed near the KC-2037 and should be easily accessible.
- Never touch the power plug with wet hands and never pull on the power cable when pulling the plug out of the power socket.
- Make sure the electrical voltage specified on the KC-2037 and its power plug is corresponding to the voltage of the power socket. Incorrect voltage will destroy the device.
- If the KC-2037 is not used for a long period of time, disconnect it from the power supply by unplugging the power plug. This is to avoid the risk of fire.
- It is not recommended to use a headphone on the KC-2037 via LINE OUT.
- Always power off the KC-2037 when cleaning it.
- Never use any harsh or strong solvents to clean the KC-2037 since these may damage the surface of the device. A dry, soft cloth is appropriate; however, if the KC-2037 is extremely dirty, it may be wiped off with a slightly moist cloth. Make sure the device is dried off after cleaning.

***Do not ingest battery, Chemical Burn Hazard**

***The remote control supplied with a coin / button cell battery. If the coin / button cell battery is swallowed, it can cause severe internal burns in just 2 hours and can lead to death.**

***Keep new and used batteries away from children.**

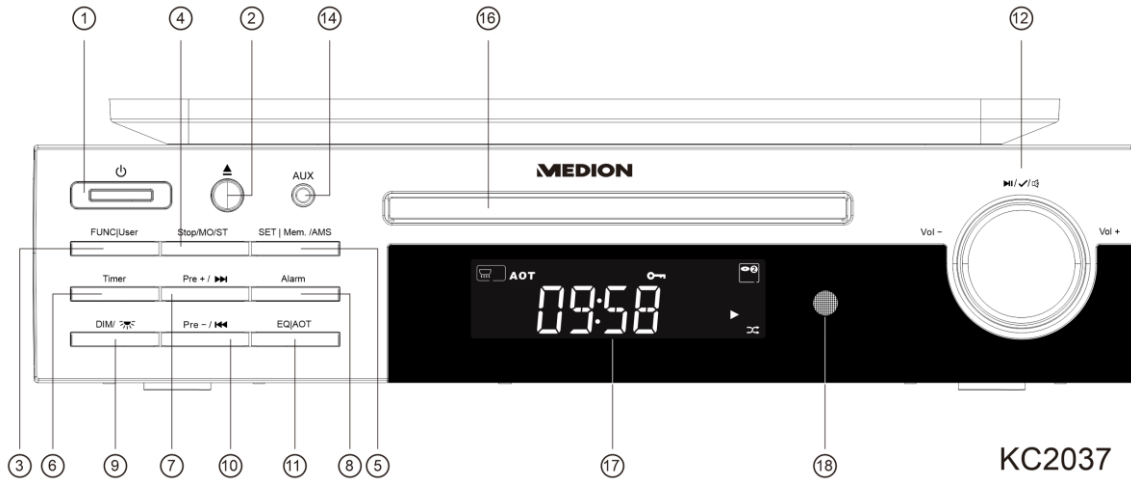
*** If the battery compartment does not close securely, stop using the product and keep it away from children.**

*** If you think batteries might have been swallowed or placed inside any part of the body, seek immediate medical attention.**

2. Feature

- 2.1. Multifunction kitchen radio with FM, CD and Aux input
- 2.2. FM radio with RDS function to update clock (CT) and station name display
- 2.3. FM radio provide automatic and manual search and station memory for max. 64 location for 2 different users to store different station (32*2)
- 2.4. Play, pause, next and previous music playback provide
- 2.5. EQ function provide for Normal, Flat, Rock, Classic, Pop, Jazz, Bass and User selectable
- 2.6. Calenda provide plus SDA feature
- 2.7. Dual alarm set to Radio and buzzer, ascending output and max. volume programmable
- 2.8. AOT (Auto Off Timer) can set up to 120 Minutes
- 2.9. LED downlight with auto off timer (120 Minutes)

3. Appearance and Key map



KC2037

Marking	No.	Operation
Power	1	Power on/off
SET Mem. /AMS	5	Short Press on standby mode - setting: Time -> Date -> SDA -> CT update -> Auto Dim -> DT -> 24 Hour (using rotary knob 12 to change value and then Using Play/Pause/Enter to select it) Short press for station memory in FM radio mode Long press for Auto station memory in FM radio mode
Open	2	Open or Close door
<ul style="list-style-type: none"> • Play/Pause • Vol + / Vol - • Enter • Mute (Tune left for value + tune right for value -)	12	Volume up or down during music/radio play Change value during selection Short press in Radio/Aux mode -> Mute Short press during mute -> Mute release
Pre -/ <<	10	Short press - Previous track CD mode Short press - Preset station - in FM radio mode Long press to auto search downward in radio mode
Pre+ / >>	7	Short Press - Next track during CD mode Short press - Preset station + in FM radio mode Long press to auto search upward in radio mode
Stop MO/ST	4	Mo/ST selection in FM mode Stop playing in CD mode
Alarm	8	Short press: toggle AL1, or AL2 or AL1+2 Press Enter to confirm Long Press: go to alarm setting using rotary knob 12 to select AL1 or AL2 and Press Enter to confirm using rotary knob 12 to adjust Alarm time and Press Enter to confirm

		using rotary knob 12 select 1-5, 6-7, 1-7 or once and Press Enter to confirm
Timer	6	Short press once -> Timer setting T1 Short press again -> T2, T3 ...T6 Press Enter to select among 6 cooking timer T1-T6 using rotary knob 12 to change time Press "Prog/MEM" to save customized cooker timer time if necessary Press Enter to confirm
AOT EQ	11	Long Press entry AOT, Toggle from 5 -> 15 -> 30 -> 45 -> 60 -> 90 -> 120 as a loop Short press for EQ, Toggle from Flat -> Rock -> Classic -> Pop -> Jazz -> Bass - Normal as a loop
FUNC User	3	Function selection: Radio/CD/Aux in Long press for User Selection in FM mode
Dim Light	9	Short press: Dimmer hi/lo Long Press for downlight On, short press during light on

Remote Control (RC)

Button	Function
	Switch the device on/off
Time set	Setup time
	Open CD compartment
VOL. -	Reduce volume
	Play/Pause when CD playing, OK for setup and mute for FM and AUX Playing
VOL. +	Increase volume
PRE-/⏮	In CD mode: previous track, rewind In radio mode: previous frequency, station search backwards
Stop MO/ST	Start/pause playback, Mute for AUX and FM Mode
PRE+/⏭	In CD mode: next track, fast forward In radio mode: next frequency, station search forwards
Prog. / MEM	Select CD program and FM memory
CD Play Mode	Stop Play back
AMS	Select memory space (+)
Timer	Activate/pause timer
Alarm	Setup and review alarm information
AOT	Automatic off function, sleep timer
FUNC	Function button; switch between the radio, CD and AUX operating modes
EQ	(Equalizer) sound mode, choose between 7 different sound presets
DIM	Dimmer, switch display backlighting on/off



4. Operation

- 4.1. Power up
- 4.2. When plugin adaptor to DC input, Display show "SYNC----", at the time searching for radio station into memory space and clock synchronize, once it done and successful, device will stay in right clock and entry standby mode
- 4.3. If clock synchronize unsuccessful, display may show power up clock for about 10~15 minutes

4.4. Radio station memory only prepare in memory group A.

5. Listen Radio

- 5.1. Whenever to listen radio, press button "Power" ① or same button on RC for once, display will show frequency (example 102.30MHz) "FM 102.30 MHz" and station name alt. if received RDS information.
- 5.2. Whenever to listen previous or next stored station, press button "Pre-/<<" ⑩ or "Pre+/>>" ⑦ each once, device will jump it
- 5.3. Whenever to search for previous or next station by manual, long press button "Pre-/<<" ⑩ or "Pre+/>>" ⑦, device will search and stay on found station
- 5.4. When stay for Stereo station but want to change to Mono for clear listening (example news program), press button "Stop/MO/ST" ④ each once to change it, press once again will changed back
- 5.5. Whenever want to store listening station to favorite list (Memory), press button ⑤ once, Display show "A _ _", (If want to stare to B-Group, press Func./User Last two digit indicate location of memory, press "Pre+/<<" or "Pre-/>>" select what location want to store, Press "Set/MEM/AMS" button to confirm.
- 5.6. Whenever want to restore all memory, stay in FM mode and long press "Set/MEM/AMS", display show FM with frequency and scanning from 88 to 108 MHz, device will store all local stronger station to memory list, max. for 32 stations and group-A only
- 5.7. Whenever need a temporary tranquil environment under playing, short press Rotary knob ⑫ once, device will be quite but keeping playing, press again will release it.
- 5.8. Whenever want to adjust listening frequency, long press Rotary knob ⑫ till display showed "FM - . - . - .", at the moment rotate the know to adjust frequency for best listening necessary, if after 5 seconds without any operation, the knob will change the function to volume control
- 5.9.
- 5.10.

6. Play back CD

- 6.1. Here two method to play CD media
 - 6.1.1. When playing both FM or Aux mode, Press Func./User till "C D" appear on display
 - 6.1.2. Any mode press "OPEN/Close" button ②
- 6.2. Put CD into CD tray and press Open/Close button
- 6.3. Wait for about 10-15 seconds, if read successful that auto play since first music
- 6.4. "Pre-/<<" ⑩ or "Pre+/>>" ⑦ once jump to previous or next music
- 6.5. Press button "Stop/MO/ST" ④ once to stop playing, press rotatory knob ⑫ once to play CD
- 6.6. When playing CD, press "Rotatory knob" ⑫ once will pause playing, press again will resume CD play back

7. Use Auxiliary

- 7.1. Connect source device like Smart phone, MP3-player ...etc. to input port AUX ⑭,
- 7.2. Press “Power Button” ① Power on device, press button ③ select operation mode to AUX, display will appear [AUX].
- 7.3. Control source device to play music
- 7.4. Rotate Rotary knob ⑫ then set output to comfortable level.
- 7.5. if necessary, press Rotary knob ⑫ once when playing will make device to be quit, or press “Mute” button on RC unit

8. Use LED down light

- 8.1. Under any mode, long press “DIM/Light” button ⑨ once will tune on light, do it again tune off
- 8.2. When tune on light, will auto off after 120 minutes

9. Set up device

9.1. Set up clock

Whenever device under standby, press “Set/MEM/AMS” ⑤ button once, display appear [TIME SET], press Rotary knob ⑫ once, display show on HH:MM and first two digit (hour value) flashing, adjust it by Rotary knob ⑫ and press once confirm when done, second two digit flashing at the moment, same as hour setup to input minute value

9.2. Setup Date

Whenever device under standby, press “Set/MEM/AMS” ⑤ button once, display appear [TIME SET], tune rotary knob ⑫ till display show on [DATE SET], press rotary knob ⑫ once again confirm entry Date Setup, last two digit for year flashing at the moment, tune rotary knob ⑫ for right value and press rotary knob ⑫ confirm, same as it to setup middle (Month) and first (date) two digit, once done, press “Set/MEM/AMS” ⑤ button once confirm and go to SDA setup or press rotary knob ⑫ confirm and retune to standby

9.3. Setup SDA

Whenever device under standby, press “Set/MEM/AMS” ⑤ button once, display appear [TIME SET], tune rotary knob ⑫ till display show on [SDA SET], press rotary knob ⑫ once again confirm entry SDA Setup, [SDA 1] appear (For example SDA1), tune rotary knob ⑫ to select SDA 1-6 and press rotary knob ⑫ confirm selection, display show [31-12-19] and last two digit for year flashing at the moment same as it to setup middle (Month) and first (date) two digit, press “Set/MEM/AMS” ⑤ button once confirm and go to “Clock update” setup or press rotary knob ⑫ confirm and retune to standby

9.4. Setup automatic clock update via radio station

Whenever device under standby, press “Set/MEM/AMS” ⑤ button once, display appear [TIME SET], tune rotary knob ⑫ till display show on [CTUPDATE], press rotary knob ⑫ once again confirm entry clock update Setup, [ON] or [OFF] appear, tune rotary knob ⑫ to select for active or inactive clock synchronize, press “Set/MEM/AMS” ⑤ button once confirm and go to automatic display brightness setup or press rotary knob ⑫ confirm and retune to standby
***Select for “ON” that device will done clock update at the 2:00 AM every day.

9.5. Setup Auto dimmer timer

Whenever device under standby, press “Set/MEM/AMS” ⑤ button once, display appear [TIME SET], tune rotary knob ⑫ till display show on [DT], press rotary knob ⑫ once again confirm entry clock update Setup, [ON] or [OFF] appear, tune rotary knob ⑫ to select for active or inactive clock synchronize, press “Set/MEM/AMS” ⑤ button once confirm and go to 12/24 clock format selection or press rotary knob ⑫ confirm and retune to standby
***Select for “ON” that display will auto dim for 23:00 ~ 06:00 every day.

9.6. Select clock format

Whenever device under standby, press “Set/MEM/AMS” ⑤ button once, display appear [TIME SET], tune rotary knob ⑫ till display show on [24H] or [12H], tune rotary knob ⑫ to select for 12 or 24 hour clock format, press “Set/MEM/AMS” ⑤ button once confirm and go back to time setup or press rotary knob ⑫ confirm and retune to standby

9.7. Setup Alarm

9.7.1. Whenever device under standby mode, press “Alarm” ⑧ once, display show on [ALARM 1], press button ⑫ once select to setup alarm 1 (for example alarm1), adjust it by Rotary knob ⑫ and press once confirm as the two option for selection:

- A. ON: press button ⑫ to active Alarm 1, display appear HH:MM, first two digit with Alarm 1 icon flashing, adjust it by Rotary knob ⑫ and press once confirm when done, second two digit flashing at the moment, same as hour setup to input minute value of alarm 1, press button ⑫ confirm and display appear [1-7], adjust it by Rotary knob ⑫ and press once confirm for week time selection as below:
- 1-7: every day will active
 - 1-5: Monday – Friday
 - 6-7: Weekend, Saturday -Sunday
 - ONCE: at this item, press rotary knob ⑫ will entry one time alarm per week on some days

of week, adjust it by Rotary knob ⑫ and press once confirm as [**SUNDAY** >> **MONDAY** >> **TUESDAY** >> **WEDWEEK** (Wednesday) >> **THURSDAY** >> **FRIDAY** >> **SATURDAY** , press rotary knob ⑫ confirm and go to awake source selection, display should show [**BUZZ** , **CD** , **TUNER**], once decision make, press rotary knob ⑫ confirm and leave alarm setup mode and retune to standby mode

****For Alarm 2, same as alarm 1 to set up it.

B. OFF, wait for device retune to standby mode

9.7.2. When stored alarm active, during buzzing or playing radio or CD

- press any key on left side of display will terminal it
- Press knob ⑫ once will pause and active "SNOOZE" timer for 9 minutes

10. Use EQ function

- Long press "AOT/EQ" button ⑪ entry EQ selection at the any play mode, display show on **NORMAL** >> **FLAT** >> **ROCK** >> **POP** >> **JAZZ** >> **CLASSIC** >> **BASS** , device will auto execute after 2 seconds

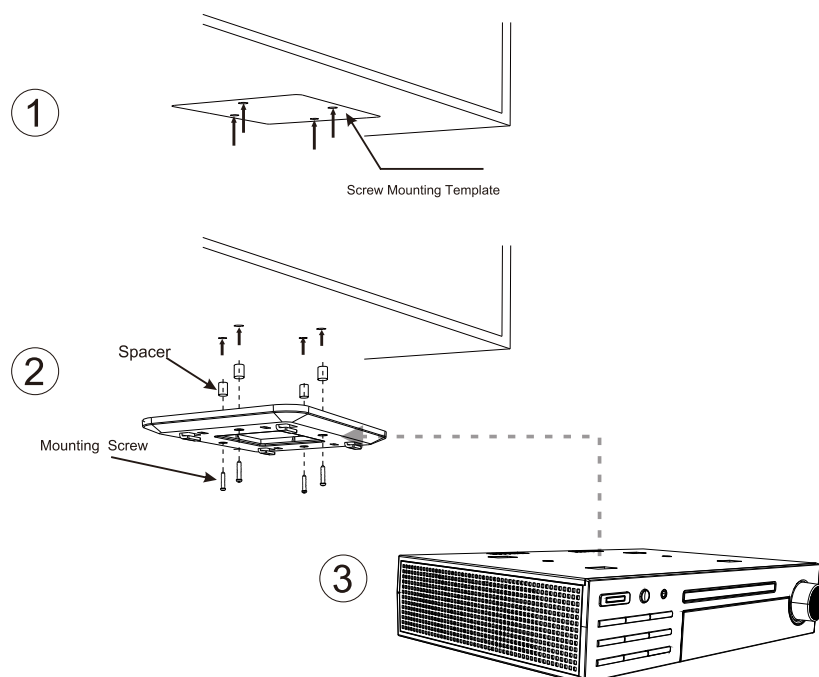
11. Use AOT -Automatic Off Timer

Press "AOT/EQ" button ⑪ each once that display show on **05** >> **15** >> **30** >> **60** >> **90** >> **120** >> **OFF** , when selected, device automatic start to countdown till off, select OFF will deactivate AOT timer

12. Use Volume Control

Tune Rotary knob ⑫ to left or right side when playing for decrease or increase output volume

13. Installation on under cabinet



Specification	
Model number	KC-2037
Description	CD Kitchen Radio
Media	CD
Display	LCD
Network supported	N/A
WLAN key	N/A
Streaming	N/A
Supported Bluetooth playback	N/A
FM	88-108MHz, Stereo
Speaker power output	2* 2W RMS, 2" 4 Ohm
Power adaptor	Input: AC 230V 50Hz, Output: 5.0V / 1.8A
Battery	CR2032, Remote control only
Standby mode power consumption	<1W
Operating temperature	10 °C -35 °C
Connections	Aux. Input, DC Power input
Dimensions	
Weight	

WARNING



No naked flame sources, such as lighted candles, should be placed on the apparatus.

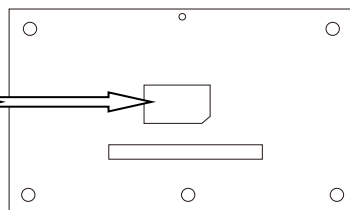
Correct Disposal of this product. This marking indicates that this product should not be disposed with other household wastes throughout the EU. To prevent possible harm to the environment or human health from uncontrolled waste disposal, recycle it responsibly to promote the sustainable reuse of material resources. To return your used device, please use the return and collection systems or contact the retailer where the product was purchased. They can take this product for environmentally safe recycling.

Rating

HINSTON
Kitchen CD clock radio
External DC Input:
5.0V $\overline{\text{---}}$ 1.8A \diamond --- \diamond
Output Power: 2X2W
"Europe dealer name and address: xxxx"

KC2037
i CE
Household waste disposal symbol

Bottom Cabinet



Used only power supply listed in user instructions

Information of Adaptor:

Model: HKP1505-051800dV
Input: 100-240 Vac, 50/60Hz, 0.4A Max.
Output: 5.0Vdc, 1.8A; 9W
Hung Kay Industrial Co., Ltd